

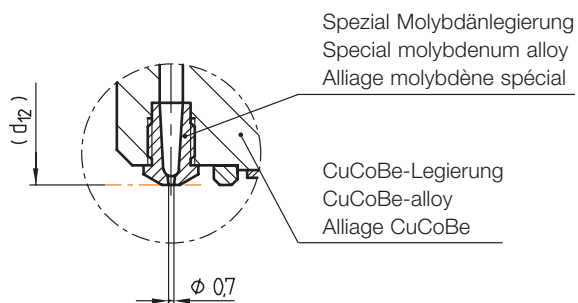
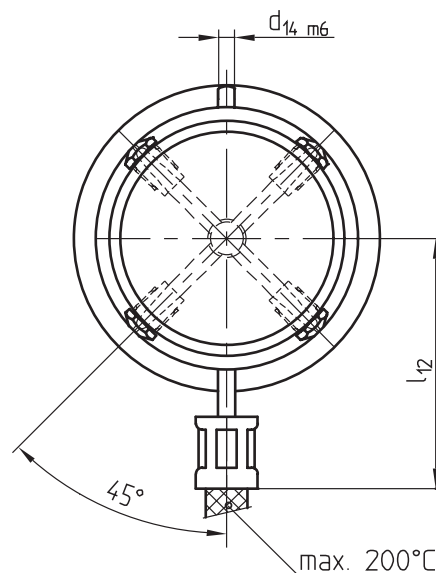
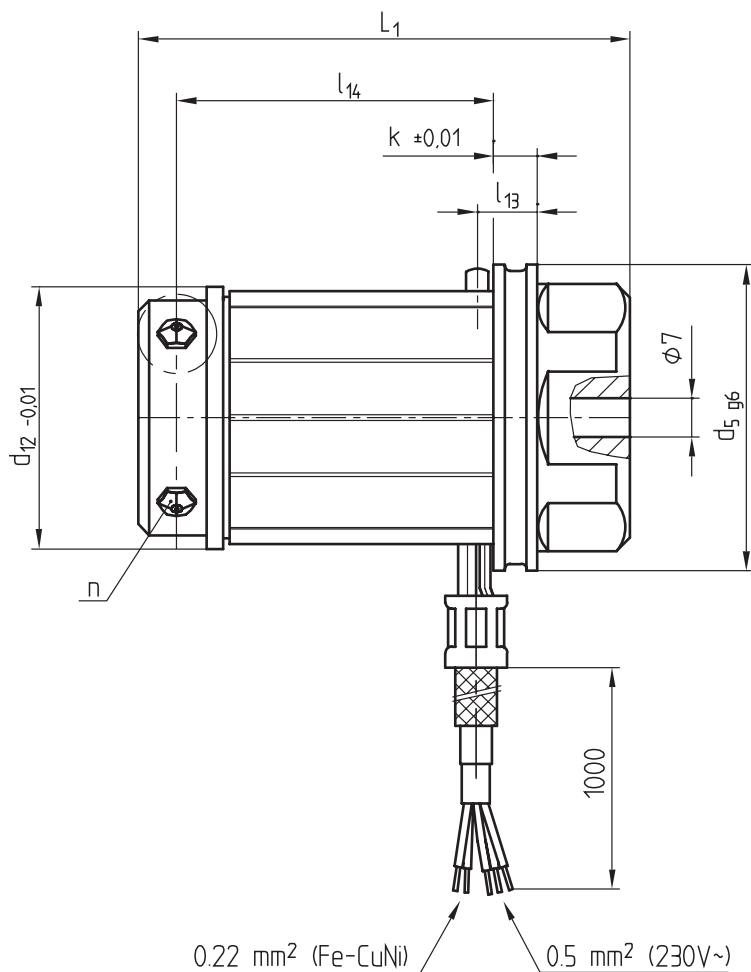
Z 10370/4/...

230 V~

+ = Fe-CuNi
- = Fe-CuNi



Info



| max. °C | Watt | d ₅ | d ₁₄ | k | l ₁₂ | l ₁₃ | l ₁₄ | n | d ₁₂ | L ₁ | Nr./No. |
|---------|------|----------------|-----------------|---|-----------------|-----------------|-----------------|---|-----------------|----------------|-----------------|
| 280 | 630 | 45 | 3 | 5 | 46,5 | 7,5 | 47 | 4 | 36 | 75 | Z 10370/4/36x75 |
| | 700 | 50 | | | 50 | | 52 | | 40 | 80 | 40x80 |
| | 850 | 56 | 4 | 8 | 53 | 11 | 58 | | 48 | 90 | 48x90 |

This is trial version
www.adultpdf.com